

OIL DEFLECTOR KIT 826-1665 INSTALLATION INSTRUCTIONS

This kit is designed to prevent cooking oil or shortening that has been spilled or dripped onto the topcap of Common Electric (H14/H17/H22) fryers from migrating into the controller or other electronic components of the fryer.

1. Open the control panel by removing the two screws from the upper edge of the controller bezel and allow the bezel to swing downward.
2. Clean the upper surface of the bezel lip with a cloth dampened with hot, soapy water. **CAUTION: Use a damp cloth. Do not allow water to run into the component box.** Dry the lip thoroughly.
3. Remove the backing from the adhesive strip attached to the deflector and position the deflector as shown in Figure 1. Ensure that the edges of the deflector are aligned with the edges of the bezel and that the inside front face of the deflector is in contact with the leading edge of the bezel (Figure 2). Swing the control panel up to its closed position to verify that there is no interference between the deflector and the control panel mount. It may be necessary to rock the topcap assembly upward slightly to achieve proper clearance. If so, loosen the screw at each end of the topcap and lift upward until the control panel will close, then retighten the screws.

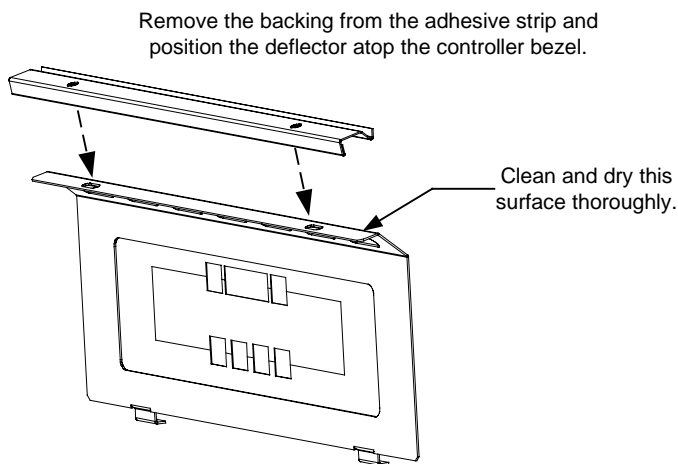


Figure 1

Ensure the edges of the deflector are aligned with the edges of the controller bezel.

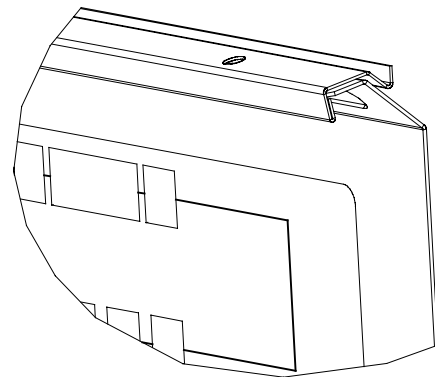


Figure 2

4. When the deflector has been properly positioned, apply firm pressure along its entire length to ensure the adhesive strip makes full contact with the bezel. **NOTE: The deflector can be removed and repositioned when first applied. However, once the fryer has been raised to cooking temperature, the deflector cannot be removed and reattached.**
5. Return the control panel to the closed position and reinstall the screws removed in Step 1.